

HELI

3000lbs CQD14X2

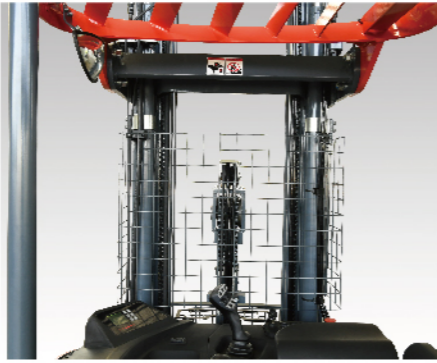
36/48V Reach Truck
G Series AC Electric



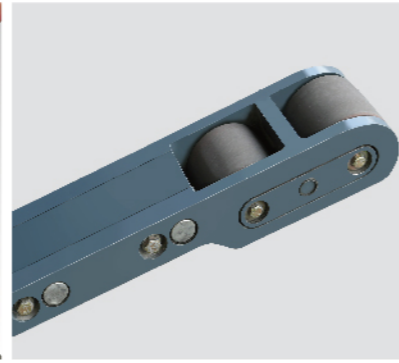
G SERIES 3000lbs



Operator compartment provides comfort and efficient operation



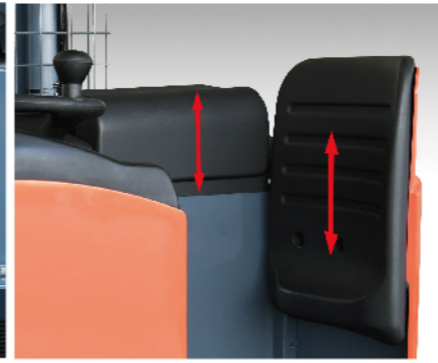
Great visibility for improved operation and safety



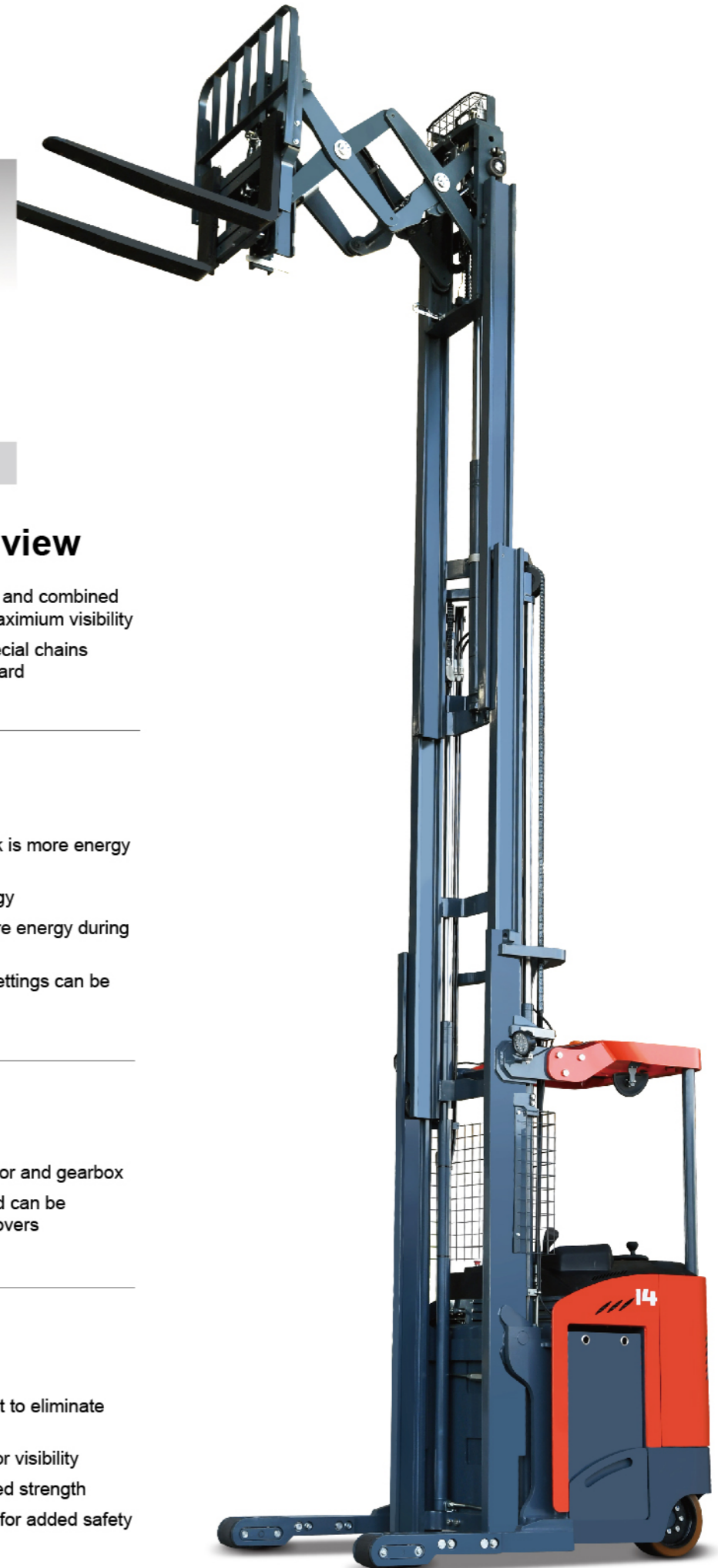
Bolt on outrigger boxes and easy change load wheels



Easy access to drive components



Adjustable backrest and armrest help reduce fatigue



Operator comfort

- > Adjustable backrest and armrest help reduce fatigue
- > Multifunction control is ergonomically designed and easy to use
- > All controls are within easy reach to help reduce body strain
- > Compartment floor is angled and spring suspended to reduce leg and back strain

Safety

- > Side stance improves operator's visibility both forward and backward
- > Automatic park brake applies when operator leaves the compartment or shuts forklift off
- > Programmable automatic deceleration in turns adds to safe operation
- > Warning lights and OPS system come standard

Working efficiency

- > Small turning radius makes steering flexible and easy
- > With ZAPI control and AC powered motors, drive and lift systems can be programmed for maximum efficiency and performance
- > The large battery capacity for longer single shift work operation
- > With standard battery roller and side removal, battery-change is quick and easy

Wide view mast and pantograph

- > Comes standard with side shift, tilt and reach functions
- > Wide-view mast and pantograph maximize operator's view
- > Lift cylinders have end stroke cushions for smooth stopping
- > ZAPI controller provides in transit buffers to ensure smooth lifting and lowering throughout the lifting cycle
- > The controller also provides in-transit and end stroke buffer for the reach function

Improved operator's view

- > Large, rounded overhead guard is stylish and combined with strategically angled bars provides maximum visibility
- > Newly designed, wide view mast with special chains enlarges the operator's view looking forward

Energy efficiency

- > With an optimized hydraulic system, truck is more energy efficient
- > All LED lights saves 80% of lighting energy
- > Regenerative motor braking recycles more energy during braking cycles
- > Programmable speed and acceleration settings can be set for maximum energy efficiency

Serviceability

- > Side door gives easy access to drive motor and gearbox
- Chassis components are well laid-out and can be accessed with removable top and front covers

Overhead guard

- > Overhead guard attaches directly to mast to eliminate front guard legs
- > Optimally designed for maximum operator visibility
- > Standard with left side guard leg for added strength
- > Optional operator compartment guard leg for added safety



G SERIES **3000lbs**

Heli's New Reach Trucks

Designed for productivity



ZAPI smart display & multi-function joystick

Designed for safety



Standard lights, mesh finger guard
& overhead guard with leg

Designed for serviceability



Easy to remove covers to access all
electric and hydraulic components



Manufacturer's Data and Design Characteristics

Characteristics											
1.01	Manufacturer										
1.02	Model					CQD14X2		CQD14X2		CQD14X2	
1.03	Configuration number					GA2R		GB2R		GC2R	
1.04	Load capacity	Q	lb	kg	3000		1350	3000	1350	3000	1350
1.05	Load center distance	C	in	mm	24		600	24	600	24	600
1.06	Power model					Electric		Electric		Electric	
1.07	Driving model					Stand		Stand		Stand	
1.08	Wheel base	L2	in	mm	61.3		1557	62.7	1593	65.2	1655
1.09	Voltage		v	V		36		36		36	
Tire											
2.01	Tyre type					PU		PU		PU	
2.02	Wheel nuber,drive/load/caster(X=drive wheel)					1×/4/2		1×/4/2		1×/4/2	
2.03	Wheel size,load		in	mm	Φ5×3.7		Φ127×95	Φ5×3.7	Φ127×95	Φ5×3.7	Φ127×95
2.04	Wheel size,drive		in	mm	Φ13×5.5		Φ330×140	Φ13×5.5	Φ330×140	Φ13×5.5	Φ330×140
2.05	Wheel size,caster		in	mm	Φ7.4×3		Φ178×76	Φ7.4×3	Φ178×76	Φ7.4×3	Φ178×76
Dimensions											
3.01	Lift height	H	in	mm	210		5330	210	5330	210	5330
3.02	Free lift	H1	in	mm	99		2526	99	2526	99	2526
3.03	Mast height,lowered	H8	in	mm	59		1490	59	1490	59	1490
3.04	Fork size,htickness/width/length	s/e/l	in	mm	1.4×3.9×36.2		35×100×920	1.4×3.9×36.2	35×100×920	1.4×3.9×36.2	35×100×920
3.05	Fork adjusting width	W4	in	mm	9.6~28.5		244~724	9.6~28.5	244~724	9.6~28.5	244~724
3.06	Tilt		deg	deg		3°/4°		3°/4°		3°/4°	
3.07	Fork sideshifting		in	mm	±2		±50	±2	±50	±2	±50
3.08	Truck body length(fork excluded)	L	in	mm	77		1954	78	1990	81	2052
3.09	Truck body width	W	in	mm	42.9		1090	42.9	1090	42.9	1090
3.10	Straddle leg, inside width	W2	in	mm	33~51		845~1300	33~51	845~1300	33~51	845~1300
3.11	Straddle leg, outside width	W1	in	mm	47~59		1192~1492	47~59	1192~1492	47~59	1192~1492
3.12	Fork carriage width	W3	in	mm	33		842	33	842	33	842
3.13	Reach distance	S	in	mm	43		1080	43	1080	43	1080
3.14	Height of overhead guard	H7	in	mm	91		2320	91	2320	91	2320
3.15	Battery bottom clearance	H4	in	mm	7.1		180	7.1	180	7.1	180
3.16	Straddle clearance	H5	in	mm	2		50	2	50	2	50
3.17	Straddle height	H9	in	mm	5.1		130	5.1	130	5.1	130
3.18	Step height	H6	in	mm	9.8		250	9.8	250	9.8	250
3.19	Minimum turning radius	Wa	in	mm	72		1838	74	1874	76	1936
3.20	Drive wheel center to truck body rear distance	L1	in	mm	9.9		252	9.9	252	9.9	252
3.21	Fork front to truck body rear distance	L4	in	mm	60		1529	62	1565	64	1627
3.22	Aisle width with pallet 1200Lx1200w	Ast	in	mm	116		2935	117	2971	119	3033
3.23	Aisle width with pallet 1000Lx1000w	Ast	in	mm	107		2713	108	2749	111	2811
Performance											
4.01	Travelling speed,with/without load		mph	km/h	6.2/6.8		10/11	6.2/6.8	10/11	6.2/6.8	10/11
4.02	Lifting speed,with/without load		fpm	mm/s	65/102		330/520	65/102	330/520	65/102	330/520
4.03	Lowering speed,with/without load		fpm	mm/s	98/98		500/500	98/98	500/500	98/98	500/500
4.04	Reach speed,with/without load		fpm	mm/s	22/30		110/150	22/30	110/150	22/30	110/150
4.05	Maximum climb capability,with/without load		%	%		10/15		10/15		10/15	
Weight											
5.01	Total weight(without battery)		lb	kg	6063		2750	6107	2770	6151	2790
5.02	Axle loading, no load (fornt/rear)		lb	kg	3040/4897		1379/2221	3182/5125	1443/2325	3374/5277	1530/2394
5.03	Axle loading, loaded (fornt/rear)		lb	kg	6635/4278		3010/1940	6860/4423	3112/2006	6976/4651	3164/2110
Battery											
6.01	Battery voltage/capacity k5		kwh	Ah	32.6		930	38.1	1085	43.5	1240
6.02	Minimum battery weight		lb	kg	2350		1066	2800	1270	3100	1406
6.03	Minimum battery weight		lb	kg	1850		839	2200	998	2500	1134
6.04	Battery department size		in	mm	39.5×16.8×31.8		1005x428x810	39.5×18.3×31.8	1005x465x810	39.5×20.7×31.8	1005x527x810
Motor and controller											
7.01	Driving motor power		HP	kw	9.4		7	9.4	7	9.4	7
7.02	Lifting motor power		HP	kw	20.1		15	20.1	15	20.1	15
7.03	Steering motor power		HP	kw	0.8		0.6	0.8	0.6	0.8	0.6
7.04	Type of driving control					MOSFET/AC		MOSFET/AC		MOSFET/AC	
7.05	Type of lifting control					MOSFET/AC		MOSFET/AC		MOSFET/AC	
7.06	Type of steering control					MOSFET/AC		MOSFET/AC		MOSFET/AC	
7.07	Transmission box					HELI special		HELI special		HELI special	
7.08	Service brake					Electric		Electric		Electric	
7.09	Parking Brake					Automatic		Automatic		Automatic	
7.10	Hydraulic system working pressure		PSI	Mpa	3050		21	3050	21	3050	21

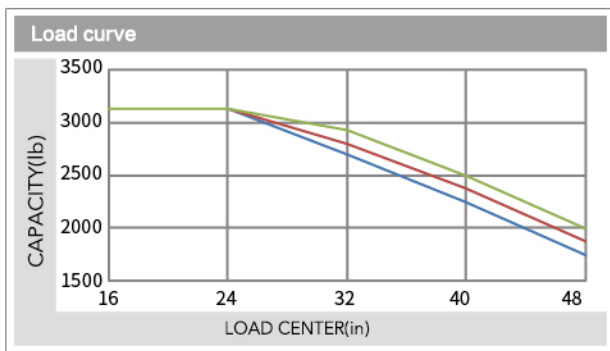
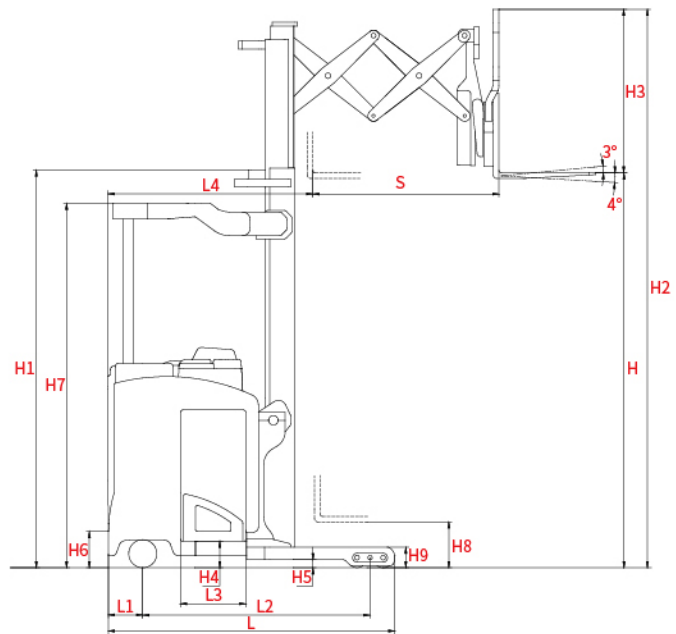
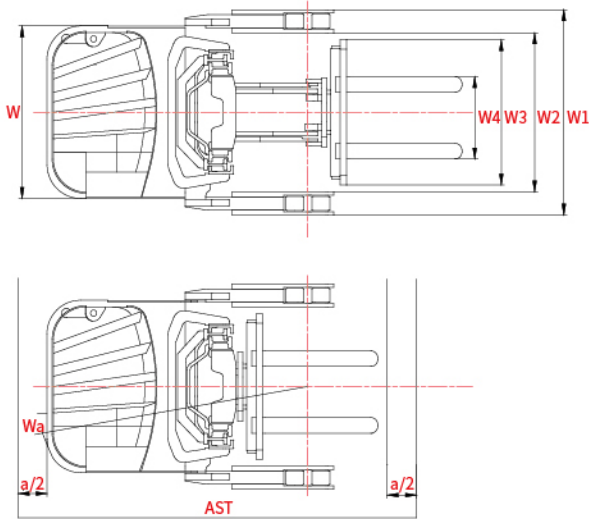
NOTE: For detailed information about battery,please contact your authorized HELI dealer.
These are "Zero Clearance" aisles in the table and require an additional 150mm or more to be added to provide for easier maneuvering.



WIDE VIEW FULL FREE 3-STAGE MAST

Mast model	Fork Height		Free lift		Mast height		Load Capacity at 24" Load Center						Service Weight					
	CQD14X2-GA2R CQD14X2-GB2R CQD14X2-GC2R		CQD14X2-GA2R CQD14X2-GB2R CQD14X2-GC2R		CQD14X2-GA2R CQD14X2-GB2R CQD14X2-GC2R		CQD14X2-GA2R		CQD14X2-GB2R		CQD14X2-GC2R		CQD14X2-GA2R		CQD14X2-GB2R		CQD14X2-GC2R	
	in	mm	in	mm	in	mm	lb	kg	lb	kg	lb	kg	lb	kg	lb	kg	lb	kg
ZSM502	198	5025	55	1390	96	2426	2976	1350	2976	1350	2976	1350	7893	3580	8263	3748	8607	3904
ZSM533	210	5330	59	1490	99	2526	2976	1350	2976	1350	2976	1350	7937	3600	8307	3768	8651	3924
ZSM610	240	6095	69	1745	109	2781	2646	1200	2646	1200	2646	1200	8091	3670	8461	3838	8805	3994
ZSM685	270	6855	79	2000	120	3036	2205	1000	2205	1000	2205	1000	8201	3720	8572	3888	8915	4044
ZSM762	300	7620	90	2285	131	3321	1764	800	1984	900	1984	900	8356	3790	8726	3958	9070	4114

AST: Right angle stacking aisle width
a: Clearance a=150mm



- CQD14X2-GA2R
- CQD14X2-GB2R
- CQD14X2-GC2R

NOTE: The vertical axis is the load capacity, and the horizontal axis is the load center which is calculated from the front face of the forks to the load center of gravity. Capacity curves shown are for a standard mast at zero degree tilt with standard forks. Changing mast tilt, using non-standard forks or loading large goods can affect load capacity. This chart can be used to estimate load capacity at various load centers for standard masts. Contact HELI for specific load ratings for your situation.



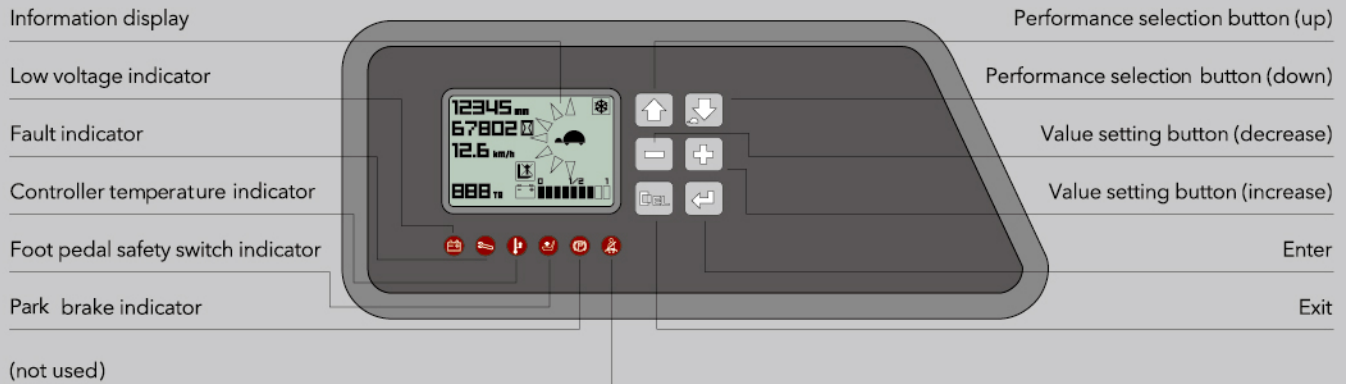
RENEWABLE ENERGY TECHNOLOGIES

With the use of the excellent load-sensing steering system and AC controlling renewable energy technologies, the forklift is more energy-saving and the working hour of the battery is extended by 15%.



15%

ZAPI intelligent display provides vital information such as speed and battery discharge status and is used to customize performance parameters



ZAPI intelligent display

Standard configuration

- AC travelling motor
- AC lifting motor
- AC steering motor
- ZAPI travelling motor controller
- ZAPI lifting motor controller
- ZAPI steering motor controller
- Electromagnetic brake
- DC/DC converter
- Low noise gear pump
- Electromagnetic proportional valve
- 5330mm(218 in.) three stage full free lift mast
- integral pantograph
- Standard fork
- Overhead guard
- Load backrest
- Polyurethane tire
- LED combined display
- Front work light
- LED warning light
- Automatic steering slow down device
- Automatic Packing brake
- Operator's tool kit
- Adjustable armrest
- Adjustable backrest

Optional

- Three-stage full free lift mast(other lifting height)
- Fork extension
- Lifting height pre-selector
- Monitoring system
- Other battery
- Germany HOPPECKER battery
- Italy FAAM battery
- Battery charger
- Custom paint
- Operator protection guard



检测 CNAS L7096

HELI CANADA

5705, place Kubota
 Drummondville (Qc)
 Canada, J2B 6V4
 1-833-HELICAN
 info@heliforklift.ca
 heliforklift.ca

